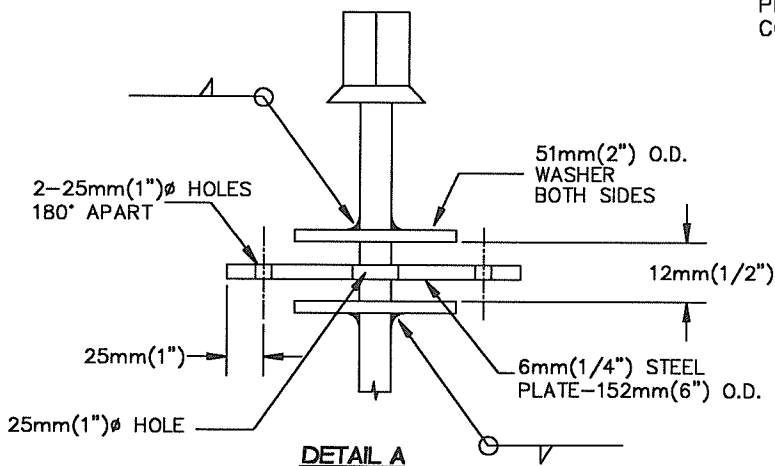


VALVE BOX DETAIL

NOTES:

1. VALVE BOX SHALL BE NOT LESS THAN 203mm(8") DIA. OR V.C. PIPE, ONE PIECE
2. CONCRETE SHALL BE 6 SACK MIX, 19mm(3/4") MAX. AGGREGATE SIZE
3. AFTER PAVING, RAISE VALVE BOX TO PERMANENT GRADE, CAST CONCRETE COLLAR AND REPAIR PAVEMENT



All units are in metric
Non-metric units are in brackets

ACAD FILENAME:HYDVALVE

CITY OF MENLO PARK STANDARD DETAILS



NO.	REVISIONS	DATE

VALVE BOX INSTALLATION

APPROVED

Y. A. Osman
Director of Engineering Services R.C.E. No. 4099B

DRAWN	CHECKED	DATE	SCALE	SHEET
		1-1-97	NTS	1 OF 1

STD. DETAIL No.: **WA-4**