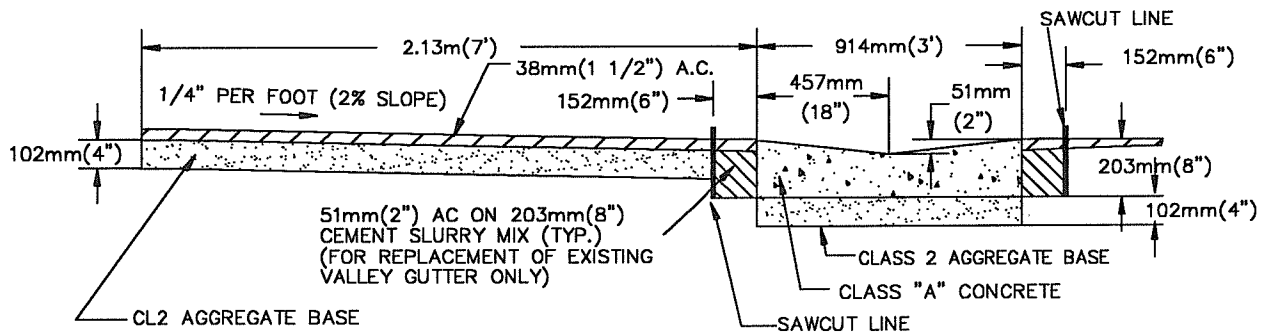


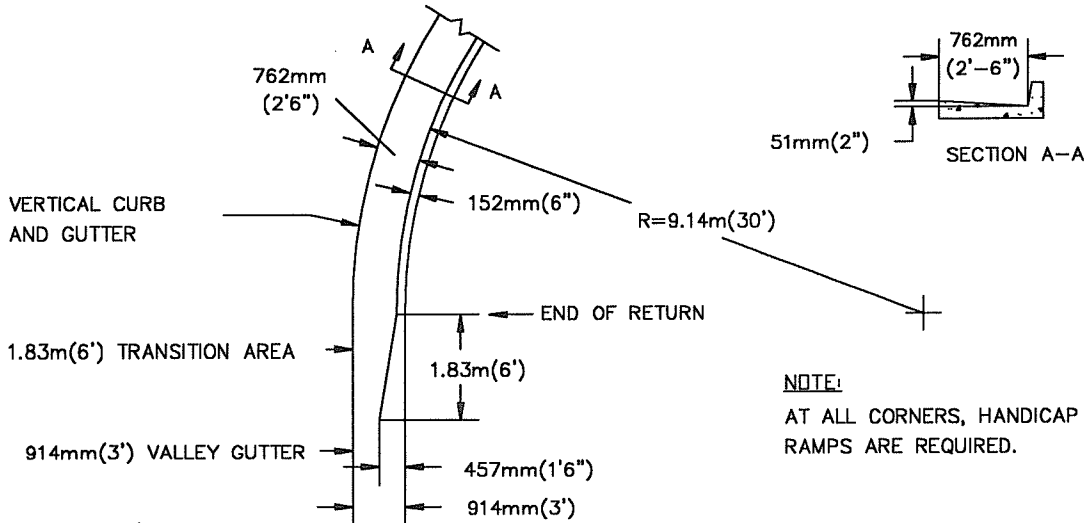
- NOTE: 1) 2.90m(9'6") SIDEWALK REQUIRED IN BUSINESS DISTRICT
 2) 13mm(1/2") EXP. JOINTS REQUIRED AT EVERY 6.10m(20')
 3) LIP OF GUTTER 32mm(1 1/4") ABOVE F_L FOR 457mm(1'-6") GUTTER

STANDARD VERTICAL CURB, GUTTER AND SIDEWALK



THREE FOOT VALLEY GUTTER AND PARKING STRIP

Note: This detail is not to be used at street crossing. See Detail CG-11 for valley gutter at street crossing



CORNER TRANSITION DETAIL

All units are in metric
 Non-metric units are in brackets

ACAD FILENAME: CGSIDEW



CITY OF MENLO PARK STANDARD DETAILS

NO.	REVISIONS	DATE

CURB, GUTTER AND SIDEWALK

APPROVED

[Signature]
 Director of Engineering Services R.C.E. No.40998

DRAWN	CHECKED	DATE	SCALE	SHEET
		1-1-97	NTS	1 OF 1

STD. DETAIL No.: **CG-3**