

NOTES :

1. The parking stalls shall be marked with 102mm(4") blue stripes and a white handicap logo on a blue 1.07x1.07m(3'6" x 3'6") background square in each stall. (see Detail No. ST-8)
2. Parking stalls next to fences, walls, sidewalk or structures may be required to contain wheel stops, curbs or other protective devices.
3. Wheel chair users must not be forced to go behind parked cars other than their own.
4. Handicapped space must permit use of either car door.
5. One in every eight (8) accessible spaces but not less than one shall be served by an Access Isle 2.44m(96") wide min. and shall be designated "Van Accessible" as required.
6. Required number of accessible Parking spaces shall conform to both, the federal and state guidelines, rules and regulations. "Van Accessible" as required.

HANDICAPPED SPACES, DOUBLE TYPE

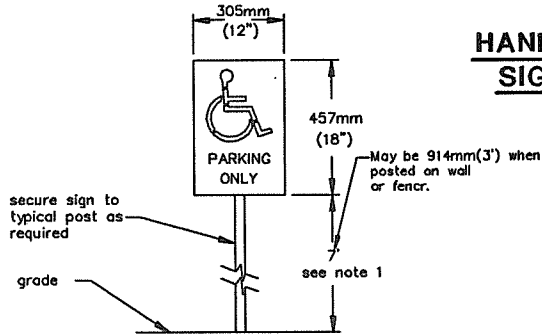
IDENTIFICATION OF HANDICAPPED SPACES:

Each parking space reserved for the handicapped shall be identified by a permanently affixed reflectorized metal sign displaying the international symbol of accessibility. The sign shall not be smaller than 452 square mm in area and shall be centered at the interior end of the parking space at a minimum grade, or centered on the wall at the interior end of the parking space at a minimum height of 914mm(36") from the parking space finished grade, ground, or sidewalk.

A street sign shall also be posted, in a conspicuous place, at each entrance to the off street parking facility, not less than 432mm x 559mm (17"x22") in size with lettering not less than 25mm(1") in height, which clearly and conspicuously states the following:

Unauthorized vehicles not displaying distinguishing placards or license plates issued for physically handicapped persons may be towed away at owner's expense. Towed vehicles may be reclaimed at the Menlo Park Police Department or by telephoning (415) 858 - 3300.

In addition to the above requirements, the surface of each parking place shall have a surface identification duplicating the symbol of accessibility in white paint on a blue background, 1.07m(3 feet 6 inch) square.



HANDICAPPED PARKING SIGN INSTALLATION

NOTES :

1. Sign location subject to review and approval by Transportation Manager.
2. Provide a reflectorize (R99) sign in front of all handicapped parking spaces.
3. Handicapped parking sign (R99) shall be per Caltrans sign specification sheet.

**All units are in metric
Non metric units in brackets**

ACAD FILENAME: HCPARK



CITY OF MENLO PARK STANDARD DETAILS

NO.	REVISIONS	DATE

HANDICAPPED PARKING SIGNING AND STRIPING

APPROVED

Joe A. Orma
Director of Engineering Services R.C.E. No. 40998

DRAWN CHECKED NN DATE 5-21-97 SCALE NTS SHEET 1

STD. DETAIL No.: **ST-8**